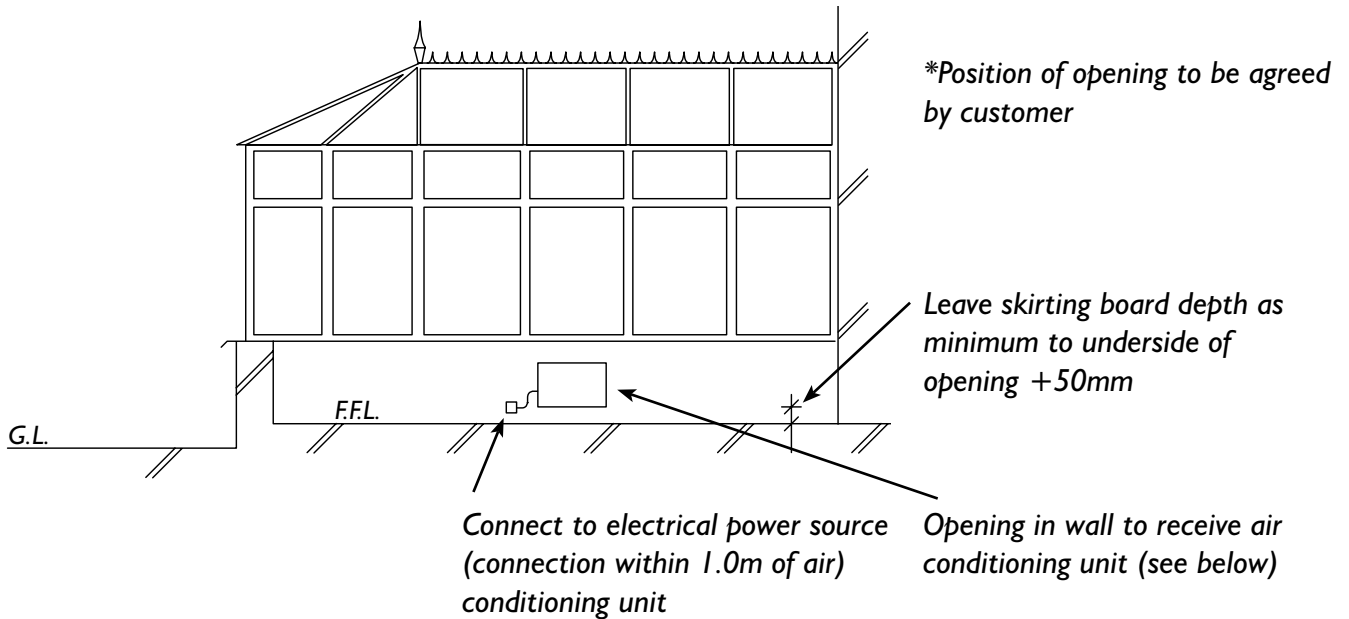


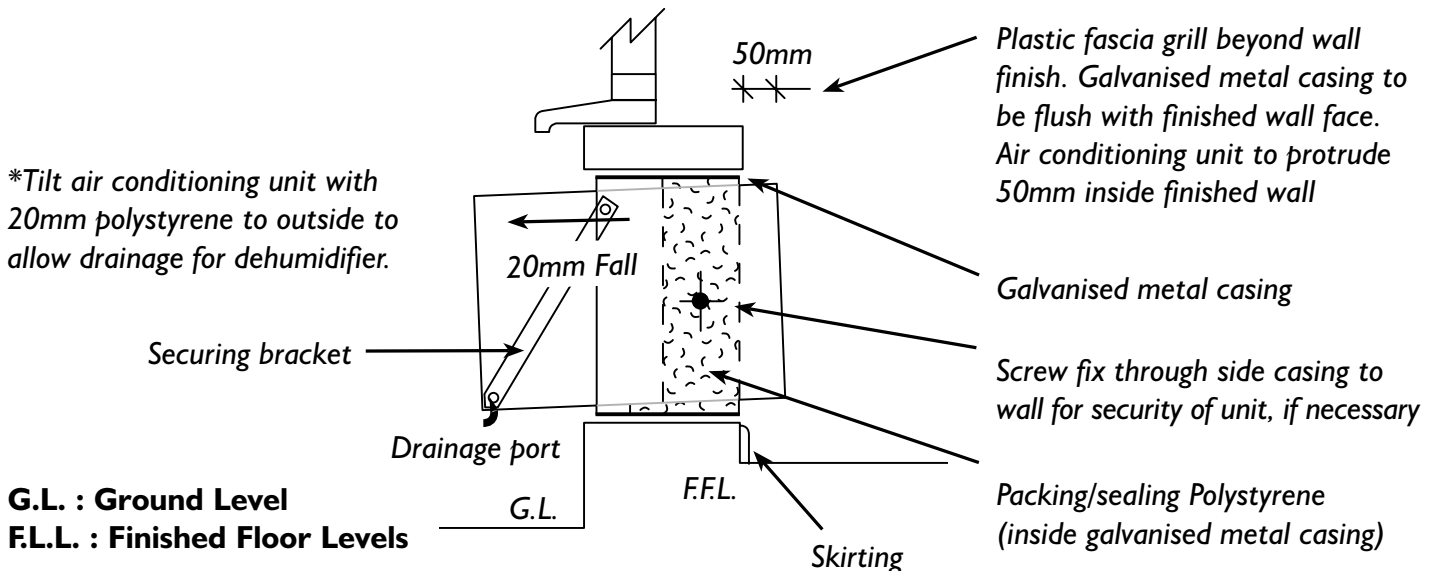
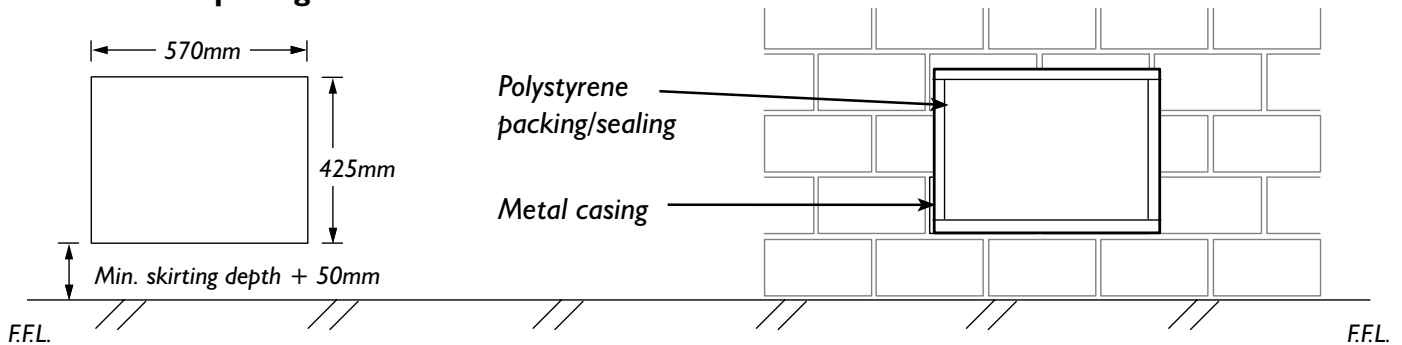
Dwarf Wall Installation Guide

Note:

- 1) On new installations, build metal casing into dwarf wall within masonry inner/outer leaves.
- 2) On retro fit installations, cut hole through wall to insert metal casing and fix.



Minimum opening for 'Debon-Air' unit



G.L. : Ground Level
F.L.L. : Finished Floor Levels



Conservatory air-conditioning units

DWARF WALL INSTALLATION GUIDE

- 1) **UNPACK AIR CONDITIONING UNIT AND ALL COMPONENTS.**
- 2) GALVANISED METAL CASING – assemble the 2 'L' shaped pieces to make a box sleeve and screw fix with 6 self tapping screws. Connect the 2 securing brackets with 2 bolts provided to the metal casing.
- 3) The metal casing should then be built into the dwarf wall of the conservatory on new build installations. On existing conservatory installations, a hole should be created 570mm wide x 425mm high to accept the metal casing. The metal casing should be screw-fixed as necessary through the side into the masonry or fixed foam. Ensure the metal casing is flush with the internal wall finish.
- 4) Install the longest piece of polystyrene packing into the bottom of the inside of the metal casing. Slide the 'Debon air' unit through the casing onto the bottom of the polystyrene packing. Ensure that the polystyrene remains flush with the internal wall finish/metal casing. Insert the two side pieces of polystyrene packing, and lift the outside end up a little to allow the top piece of polystyrene packing to be installed.
- 5) The 'Debon air' unit should be positioned 50mm inside the internal wall finish and tilted by approximately 15-20mm fall to the outside. This allows drainage for the dehumidifier.
- 6) When the unit is positioned correctly, move the securing bracket to the bottom external corner and screw fix into the unit casing with screws provided. Install the draining port on the underside at the rear.
- 7) **DO NOT** fill in the gap on the external side of the unit between the metal casing. This should remain clear for the air intakes. The unit is designed to be open to the elements.
- 8) To finish the inside, fix the fascia frame pieces around the unit using silicone sealant.
- 9) Connect to the mains power supply. Installation should be done by a competent electrician in accordance with IEE wiring regulations 16th edition.
- 10) See operating instructions supplied with unit and check operation.
Remember - leave operating instructions with home owner.